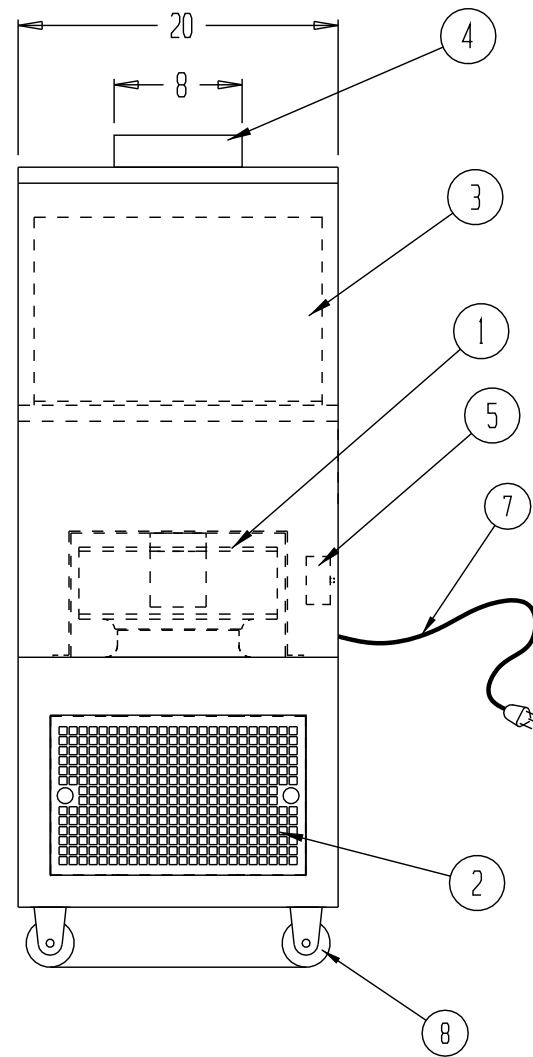
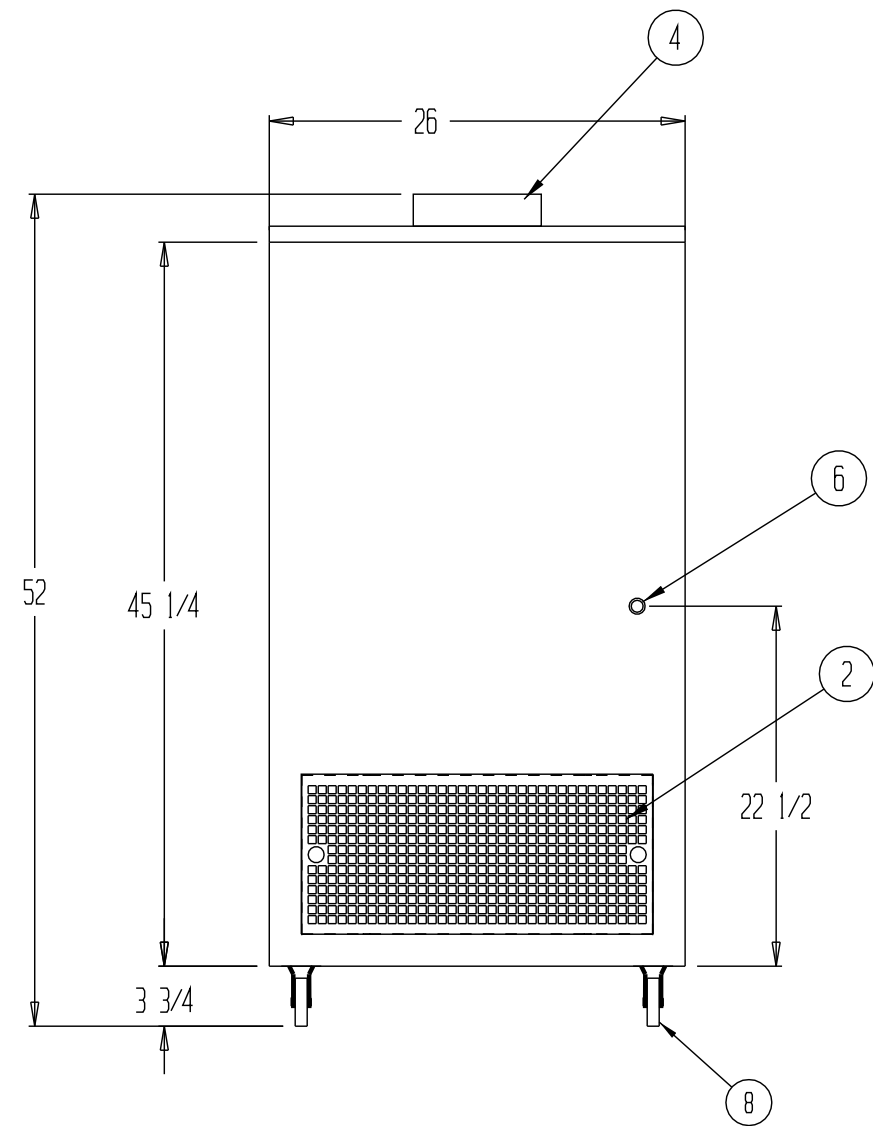



NOTES:

- UNIT CONSTRUCTED OF 16 GA TYPE 304 STAINLESS STEEL WITH A #4 FINISH
- WIRING TO MEET LATEST NEC CODES
- ALL ELECTRICAL COMPONENTS TO BE UL RECOGNIZED
- UNIT CAPABLE OF 800 CFM MAX AT THE DUCT COLLAR
- UNIT SHIPS COMPLETE AND READY FOR USE

REVISIONS			
REV	DESCRIPTION	DATE	APPROVED



- ① 310mm BACKWARD CURVED IMPELLER BLOWER CAPABLE OF 800 CFM @ 1.0" WC. 115 VOLT, 2.8 AMPS
- ② (2) 16 x 10 & (1) 22 x 10" AIR INTAKE GRILL WITH 1/2" THICK WASHABLE FOAM PRE FILTER
- ③ 18" X 24" X 11-1/2" HIGH CAPACITY GALVANNEAL HEPA FILTER 99.99% EFFECTIVE ON PARTICLES OF 0.3 MICRONS IN SIZE
- ④ REMOVABLE TOP WITH 8" DIA EXHAUST COLLAR FOR FILTER SERVICE ACCESS
- ⑤ RECESSED ELECTRONIC BLOWER SPEED CONTROL
- ⑥ BLOWER CONTROL SWITCH WITH INDICATOR LIGHT
- ⑦ 8 FT 115 VOLT, 15 AMP POWER CORD
- ⑧ 3" DIA LOCKING SWIVEL CASTERS

DRAWN FOR	 <b>ATMOS-TECH INDUSTRIES</b> 1108 POLLACK AVE. OCEAN N.J. 07712		
	TITLE AP800-SS/ED8 "AIRE PURE 800"		
DRAWN BY DK	SIZE ---	JOB NO. ---	ENG NO. 1922099B0
APPROVED BY	SCALE 1"=1'	DATE 4/3/20	REV SHEET